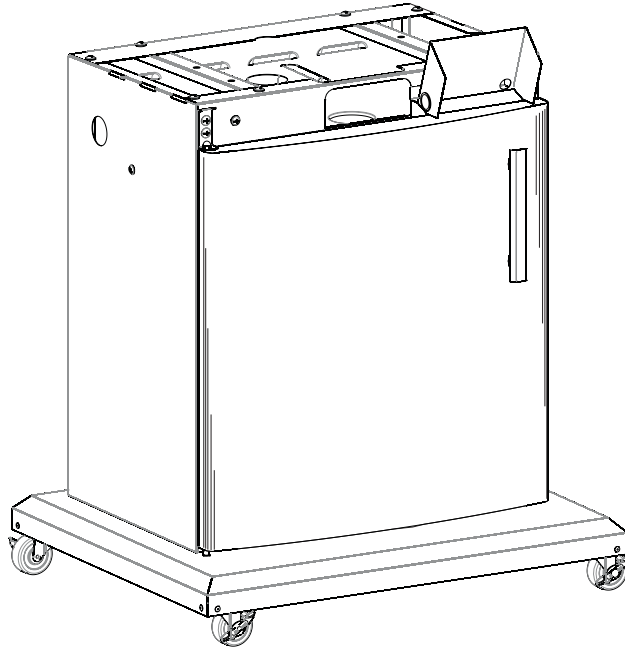


BROILMASTER®

PREMIUM GAS GRILLS

INSTALLATION INSTRUCTIONS



**MODEL
PSCB-1**

VERIFY THAT ALL PARTS LISTED ON THE EXPLODED VIEW OF THIS MANUAL HAVE BEEN INCLUDED IN THIS CARTON BEFORE BEGINNING INSTALLATION.

▲ CAUTION: USE CAUTION WHEN HANDLING PARTS, AS THEY MAY CONTAIN SHARP EDGES. WORK GLOVES ARE RECOMMENDED TO PREVENT INJURY.

REMOVE PROTECTIVE COATING AND VERIFY THAT ALL PARTS LISTED ON THE EXPLODED VIEW OF THIS MANUAL HAVE BEEN INCLUDED BEFORE BEGINNING ASSEMBLY.

TOOLS REQUIRED: PHILLIPS SCREW DRIVER, ELECTRIC OR BATTERY OPERATED SCREWDRIVER OR DRILL, AND 7/16" OPEN WRENCH

KEEP THIS OWNER'S MANUAL FOR FUTURE REFERENCE.

EMPIRE COMFORT SYSTEMS, INC • 918 FREEBURG AVE. • BELLEVILLE, IL 62220

THIS GAS ACCESSORY IS DESIGNED FOR OUTDOOR USE ONLY

IMPORTANT:

This manual should be read thoroughly by the person installing the grill mounting and all persons who will use and maintain the grill mounting. The installer should be sure the manual is left in the possession of the user. The user should retain this manual for future reference when using or cleaning the grill mounting and to properly identify any repair parts that may be required.

⚠ WARNING:

Reference this manual for proper installation and maintenance instructions. Improper installation, adjustment, alteration, service or maintenance can cause personal injury or property damage. For assistance or additional information consult a qualified installer, service agency or the gas supplier.

⚠ CAUTION:

The grill and its individual shutoff valve must be disconnected from the gas supply piping system during any pressure testing of that system at test pressures in excess of 1/2 PSIG.

⚠ CAUTION:

The grill must be isolated from the gas supply piping system by closing its individual manual shutoff valve during any pressure testing of the gas supply piping system at test pressures equal to or less than 1/2 PSIG.

⚠ CAUTION:

Parts may have sharp edges. Wear leather work gloves and handle parts carefully during the unpacking, assembly and the installation.

⚠ WARNING:

Do not supply LP gas to a grill designed for natural gas nor natural gas to a grill designed for LP gas.

NOTICE:

Assemble grill mount before assembling grill.

IMPORTANT INFORMATION

Grill Location

Broilmaster® Gas Grills are designed for outdoor use ONLY.

These mounting accessories are designed for use with Broilmaster® gas grills and must not be used with any other grill or for any other purpose.

Never install or operate your grill in any building, garage, or other enclosed area. To do so may result in the possibility of fire, property damage, or personal injury.

For your safety, the grill should not be installed or operated under any combustible materials, such as carports, covered porches, awnings, or overhangs. To do so may result in the possibility of fire, property damage, or personal injury.

Never install or use your grill in or on any recreational vehicle or boat. To do so may result in the possibility of fire, property damage, or personal injury.

▲ CAUTION: THE INSTALLATION AND OPERATION OF THIS GRILL AT CLEARANCES LESS THAN SPECIFIED BELOW MAY LEAD TO THE POSSIBILITY OF FIRE, PROPERTY DAMAGE, OR PERSONAL INJURY.

A minimum clearance of eighteen (18") inches is required from the back and sixteen (16") inches from the sides of the grill to any combustible material.

Examples of combustible materials are patio furniture, fences, or the wall of your home.

The area surrounding the grill should be clear to ensure proper ventilation. Do not obstruct the flow of combustion and ventilation air in any way. The ventilation openings on the propane cylinder enclosure must also remain free and clear of debris.

▲ WARNING: DO NOT INSTALL OR OPERATE A GAS GRILL WHERE GASOLINE OR OTHER FLAMMABLE MATERIALS ARE USED OR STORED. FAILURE TO COMPLY WITH THIS WARNING COULD RESULT IN EXPLOSION OR FIRE CAUSING PROPERTY DAMAGE OR PERSONAL INJURY.

Gas Types

Never use liquid propane gas with a grill designed for natural gas, or natural gas with a grill designed for liquid propane gas. The type of gas required for your grill is defined on its product identification label. Questions regarding different types of gases should be directed to your gas supplier.

Cleaning

Stainless steel surfaces may be cleaned with a spray-on stainless steel cleaner available at most hardware stores.

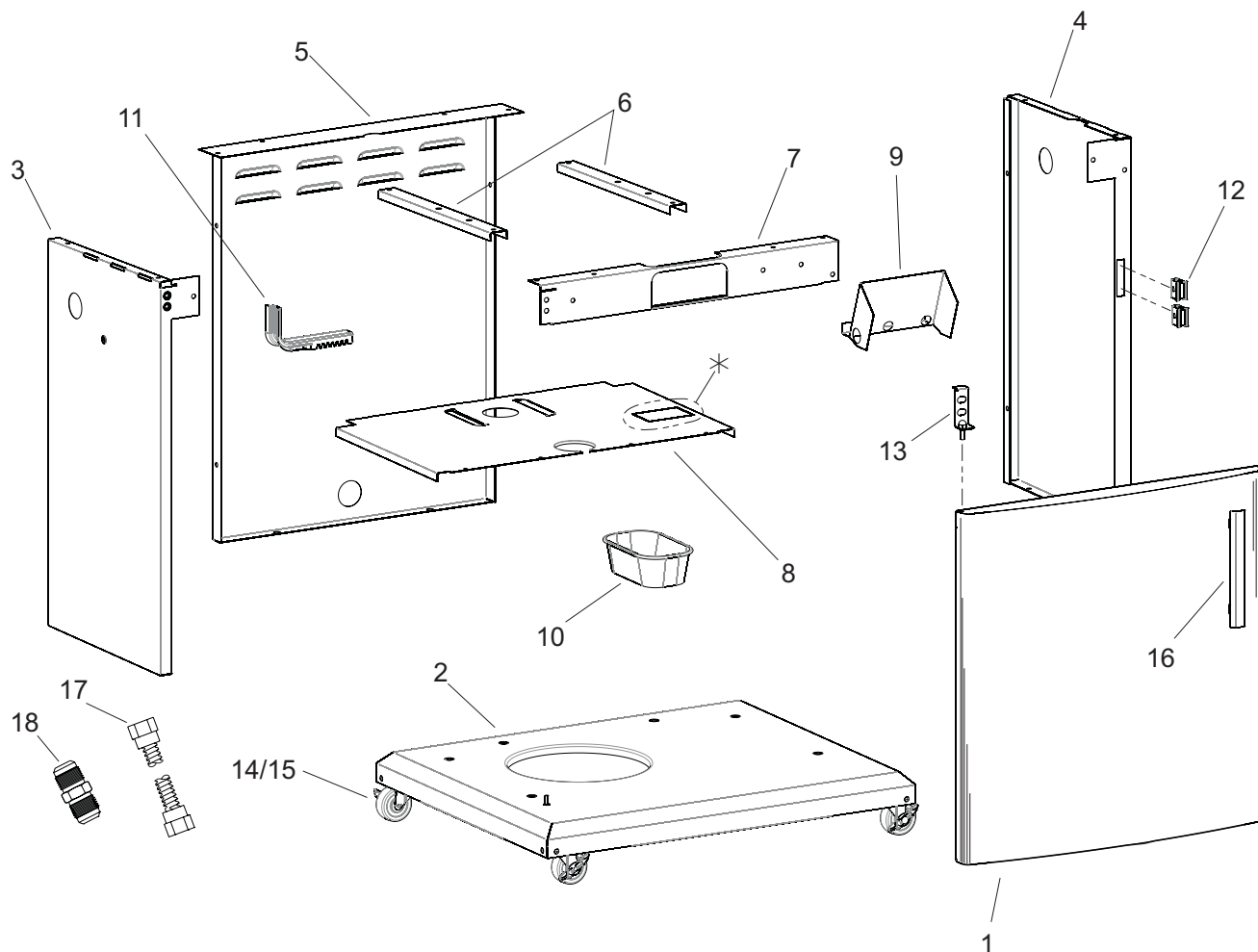
Important: Do not use harsh or abrasive cleaners! Your cart has a highly polished surface and may be easily scratched.

Periodic Inspection and Maintenance

Periodic inspections and maintenance are essential. All Broilmaster® Gas Grill products or mechanical devices eventually begin to wear due to environment, contaminants, corrosion or aging. Inspect all components at least twice per year and replace any that show wear.

If any parts are damaged or missing, you may order parts from your local Broilmaster® dealer. Please refer to the Parts Diagram and Parts List section of this manual for more detailed information.

CART EXPLODED VIEW & PARTS LIST



Remove protective coating from stainless steel parts starting at pop rivets and verify that all parts listed in the exploded view on this page have been included before beginning this installation.

⚠ Caution: Use caution when handling parts, as they may contain sharp edges. Work gloves are recommended to prevent injury.

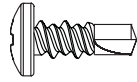
INDEX NO.	PART NO.	DESCRIPTION
1	B101691	DOOR (INCLUDES #16)
2	B101690	BASE ASSEMBLY
3	B101772	LEFT PANEL
4	B101714	RIGHT PANEL
5	B101713	REAR PANEL
6	B101785	STIFFENER BRACKET (Qty 2)
7	B101771	STABILIZING BRACKET
8*	B101709	HEAT SHIELD
9	B101752	IGNITOR HEAT SHIELD

INDEX NO.	PART NO.	DESCRIPTION
10	B060337	GREASE DRIP TRAY
11	B064791	TANK RETAINER BRACKET
12	B101761	MAGNET
13	B101786	HINGE ASSEMBLY
14	B063104	CASTER WITH BREAK (Qty 2)
15	B063103	CASTER WITHOUT BREAK (Qty 2)
16	B101762	DOOR HANDLE (INCLUDED WITH #1)
17	B101900	FLEX HOSE
18	B101831	COUPLING

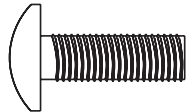
* Q3X Grills: Remove knockout prior to assembly.

All repair part orders should be placed through your local Broilmaster dealer. To locate a dealer in your area, visit www.broilmaster.com and click on the dealer locator. To ensure prompt and accurate service, please provide the following information when placing a repair part order: Model Number, Part Name, Part Number, and Quantity of parts needed.

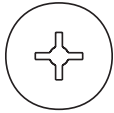
CART HARDWARE PACKAGE



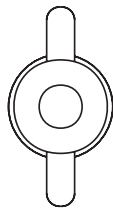
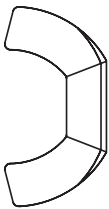
PHILLIPS SCREW 10-16 X 1/2 SELF DRILL



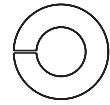
PHILLIPS TRUSS HEAD SCREW 1/4-20 X 3/4



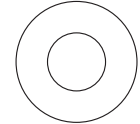
PHILLIPS TRUSS HEAD SCREW 1/4-20 X 1-1/4



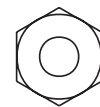
1/4-20 WING NUT



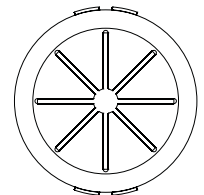
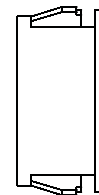
1/4 ID X 1/2 OD LOCK WASHER



1/4 ID X 5/8 OD FLAT WASHER



1/4-20 HEX NUT



SNAP-IN GROMMET



PLASTIC SPACER

Note: Hardware shown at actual size where possible.

Description	Qty Supplied	Part No.
Phillips Screw 10-16 x 1/2 Self Drill	4	R4059
Phillips Truss Head Screw 1/4-20 x 3/4	24	B072217
Phillips Truss Head Screw 1/4-20 x 1-1/4	5	B100113
1/4-20 Wing Nut	1	R1123
1/4 ID x 1/2 OD Lock Washer	23	B076333
1/4 ID x 5/8 OD Washer	4	B076332
1/4-20 Hex Nut	16	B076331
Snap-In Grommet	1	R882
Plastic Spacer	1	B101758

CART ASSEMBLY

⚠ Caution: Be careful when handling parts, as they may contain sharp edges. Work gloves are recommended to prevent injury. Remove protective plastic covering.

To hard mount the cart to a deck, start at Step 1. If not installing directly to a deck, skip to Step 3.

1. Place the Base Assembly on the work surface with casters facing up. Remove the four screws securing each caster and retain for possible future use. Repeat this step for the remaining three casters. See Figure 1.

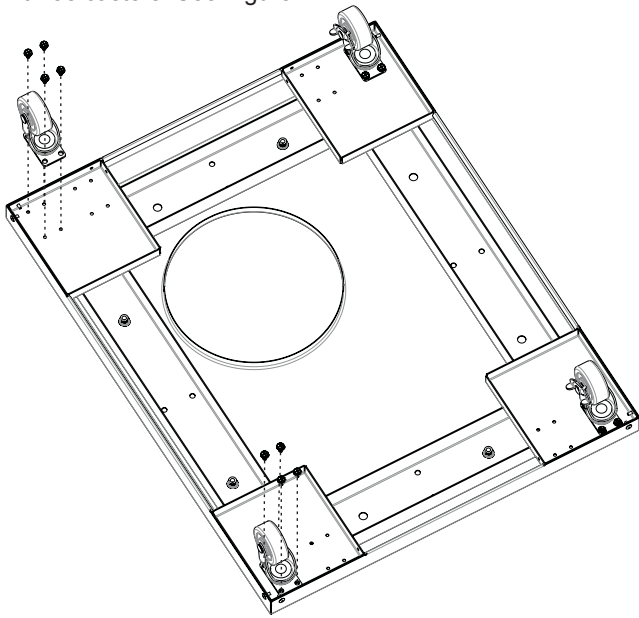


Figure 1

2. Determine the location for the grill. Ensure proper clearances to combustibles as recommended in the grill head manual. Use three drywall or deck screws of at least 2-1/2 inches in length to fasten Base Assembly to deck. The screws will protrude 3/4 inch into the deck. See Figure 2. Note: It is always recommended to use longer screws to secure the cart base when possible.

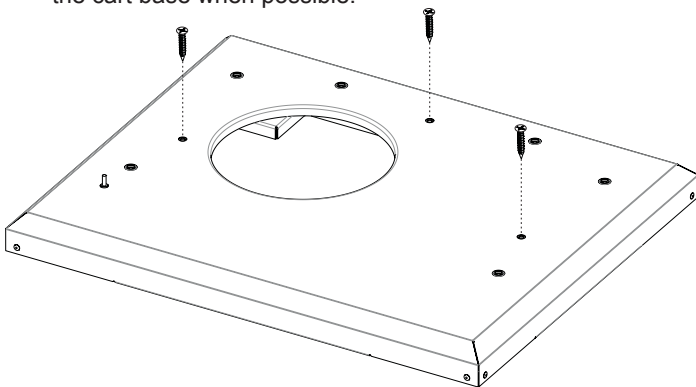


Figure 2

3. Attach Left Panel to Rear Panel with two 1/4-20 x 3/4 screws, two lock washers and two nuts. Do not tighten. See Figure 3.
4. Attach Right Panel to Rear Panel with two 1/4-20 x 3/4 screws and two nuts. Do not tighten. See Figure 3.

Note: Once Left, Right and Rear Panels are assembled, they become the "Cart Assembly."

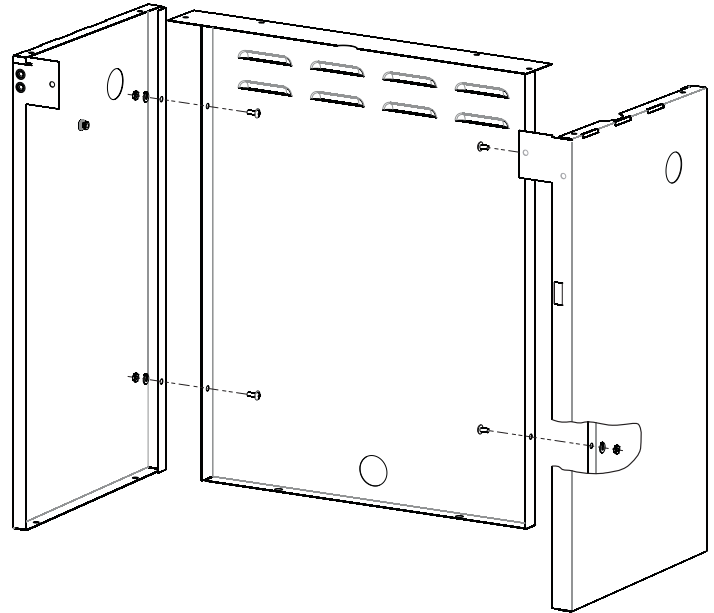


Figure 3

5. Place Cart Assembly onto Base Assembly and secure with six 1/4-20 x 3/4 screws and six lock washers (two per panel). Do not tighten screws until all screws and lock washers are properly inserted into the base. See Figure 4.

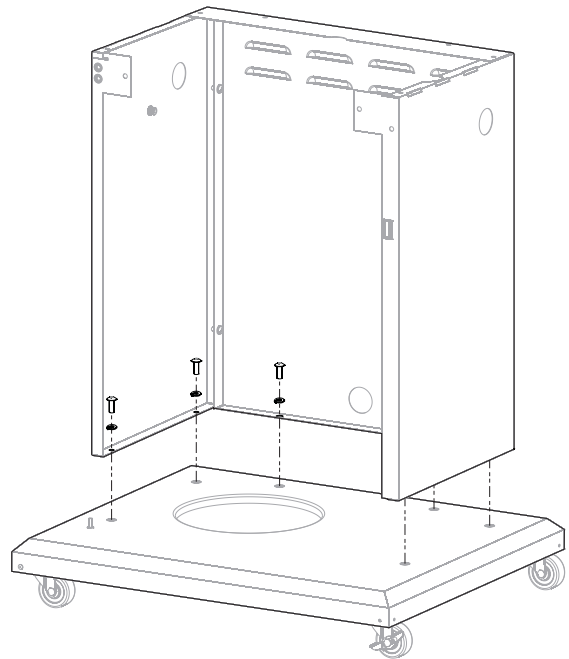


Figure 4

6. After tightening the Base Assembly screws, tighten the nuts and screws from Steps 3 and 4.

CART ASSEMBLY

7. Secure the Stabilizing Bracket to the Cart Assembly with four 1/4-20 x 3/4 screws, four lock washers and four nuts. Do not tighten. See Figure 5.
8. For alignment purposes, place two 1/4-20 x 3/4 screws into the holes provided on the left side of the stabilizing bracket. See Figure 5. These screws will be removed and reused in later steps.

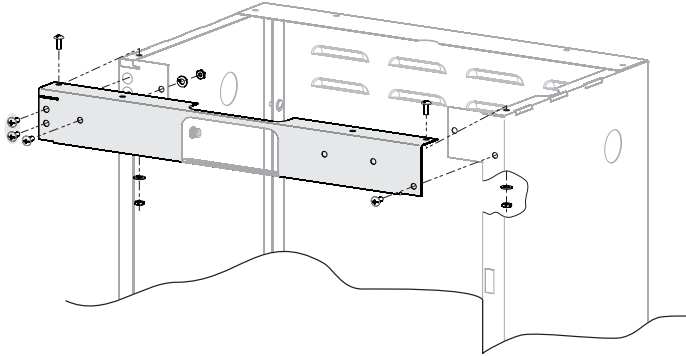


Figure 5

9. Secure Ignitor Heat Shield to the Stabilizing Bracket with two 1/4-20 x 3/4 screws, two lock washers and two nuts. Push snap-in grommet through the hole on the Ignitor Heat Shield. See Figure 6.

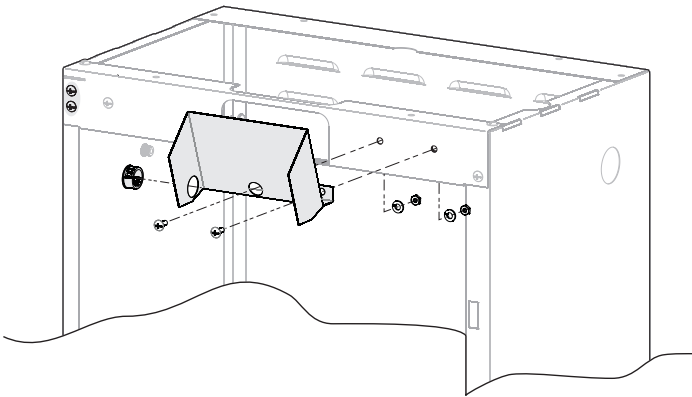


Figure 6

10. Place Stiffener Brackets under the ledges of the Stabilizing Bracket and Rear Panel. Ensure the holes line up and Secure with four 1/4-20 x 3/4 screws, four lock washers and four nuts each. See Figure 7.

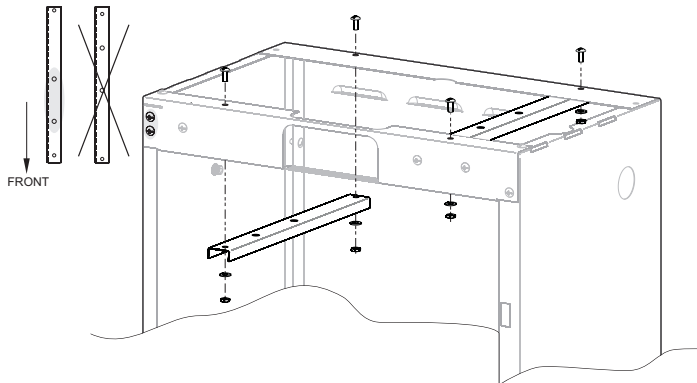


Figure 7

11. Use two 1/4-20 x 3/4 screws, two lock washers and two nuts to further secure the Left and Right Panels to the Rear Panel. See Figure 6.

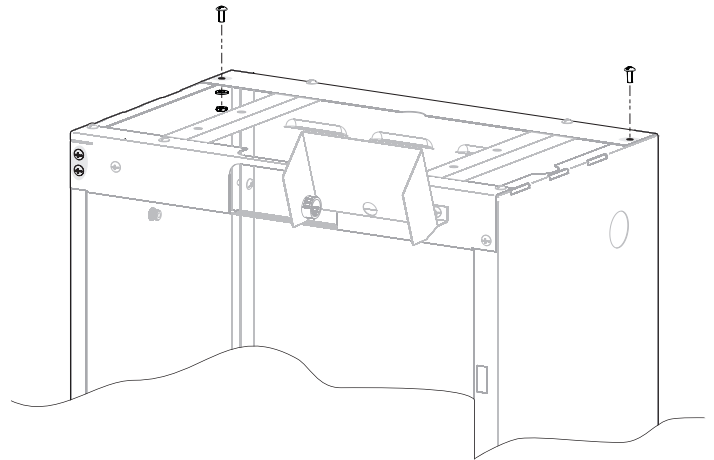


Figure 8

12. Tighten all loose nuts and screws at this time.
Note: If necessary, align edges of cart panels and hold while tightening.
13. Remove alignment screws placed in Step 8.
Note: This is REQUIRED.

CART ASSEMBLY

14. Place plastic spacer on peg on cart base. See Figure 9.
15. Place Door on peg. Place peg on Hinge Assembly into the hole on the top left of the Door. Slide the tab on the Hinge Assembly into the slot on the Stabilizing Bracket. Replace screws removed in Step 13. See Figure 10. Before tightening screws, align Door so that it moves freely.
16. Snap magnet into the hole provided in the Right Panel. See Figure 9.

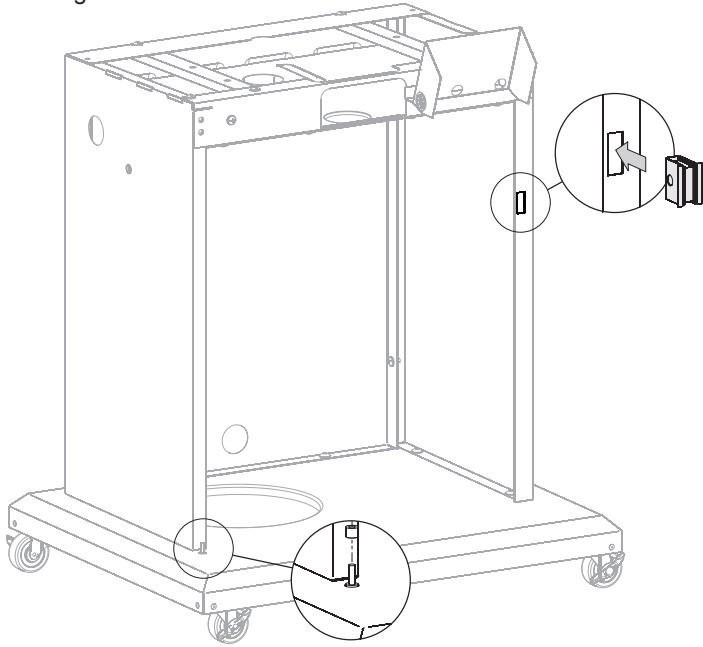


Figure 9

17. Install grill head to cart using four 1/4-20 x 1 1/4 Bolts and Flat Washers. See Figure 11.

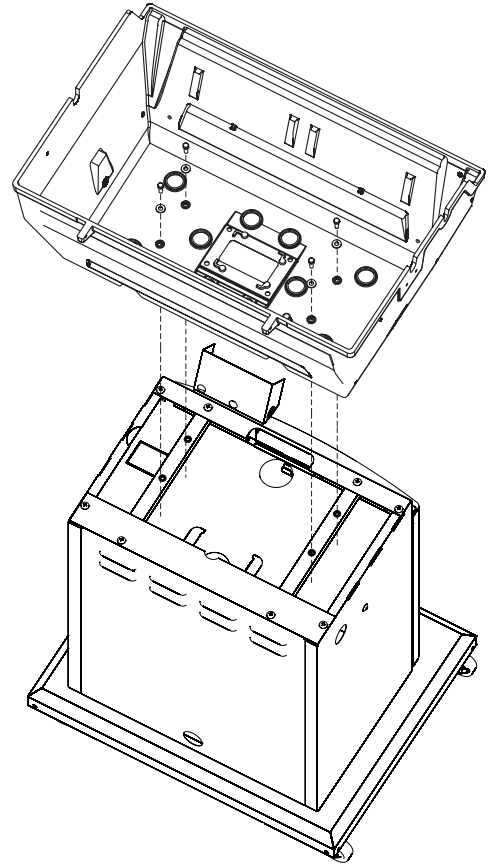


Figure 11

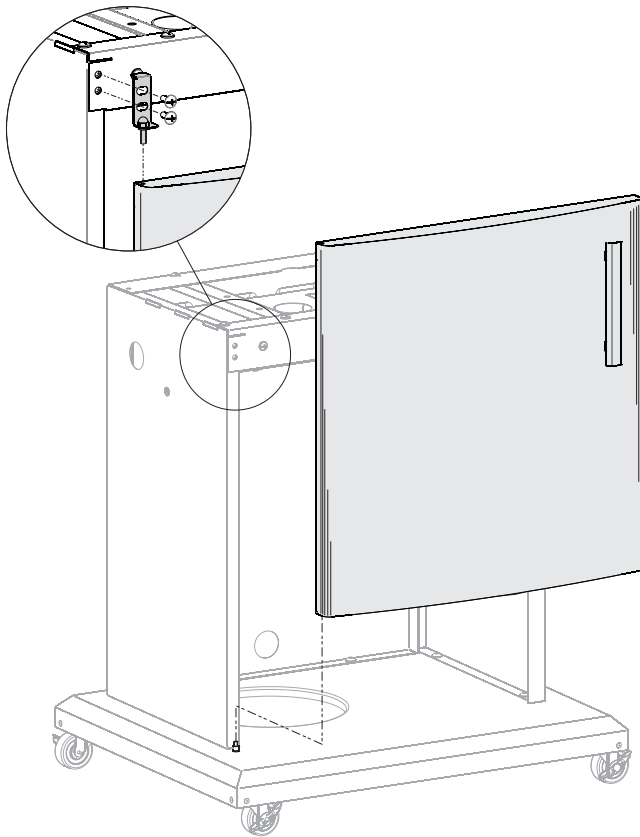


Figure 10

CART ASSEMBLY

18. Continue grill head assembly as stated in the Owner's Manual that came with your grill head before continuing on to step 19.
19. Slide Heat Shield into Cart Assembly. The tabs on the Heat Shield slide into the top rear louvers on the Rear Panel. Slide Heat Shield over the knurl nut on the Left Panel. Swing Heat Shield into place. See Figure 12.
20. Secure Heat Shield to the Stabilizing Bracket with four 10-16 x 1/2 self drilling screws. See Figure 12.

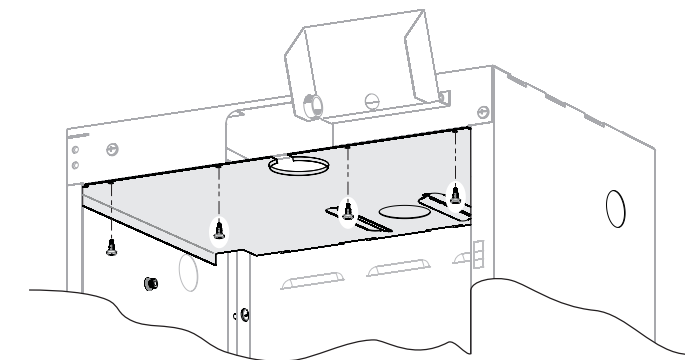
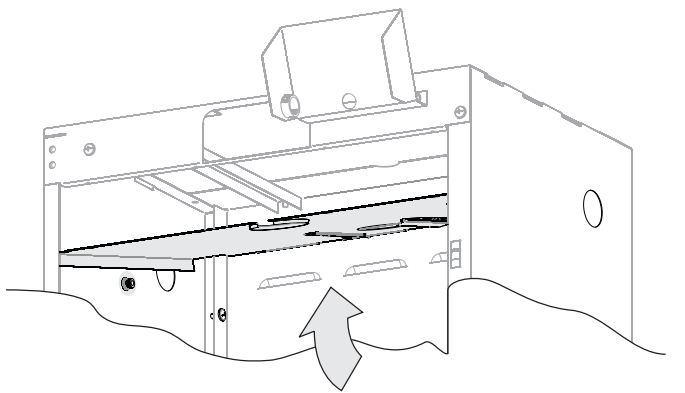
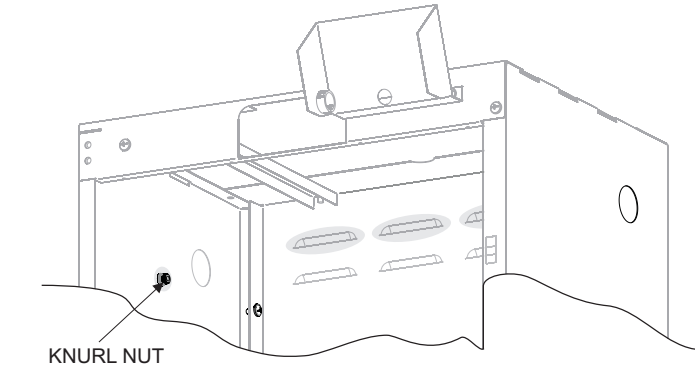


Figure 12

Attention: The included flex hose and coupler MUST be used with PSCB carts. Follow steps 21 to 22 to install.

21. Attach the included flex hose to valve on control panel.
22. Attach the included coupler and your regulator hose (LP) or supply line (LP or NAT) to the flex hose. See Figure 13.

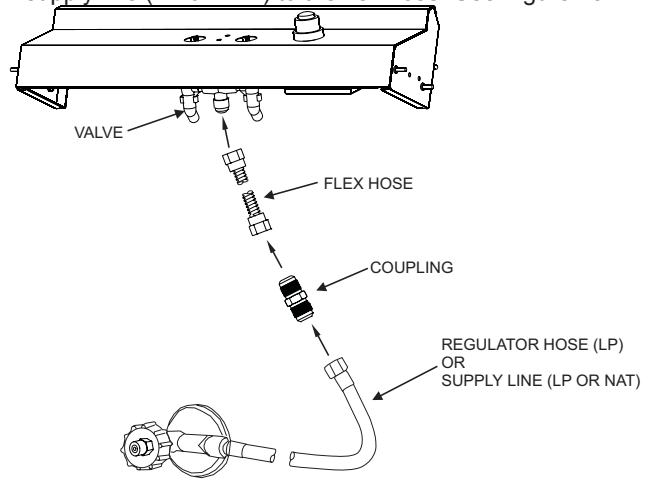


Figure 13

23. Slide Grease Drip Tray into the slots on the underside of the Heat Shield. See Figure 14.

Note: Grease Drip Tray must be emptied periodically.
 Note: Grease Drip Trays are not required for Q3X Series grills. However, they can be left in place as a backup tray.

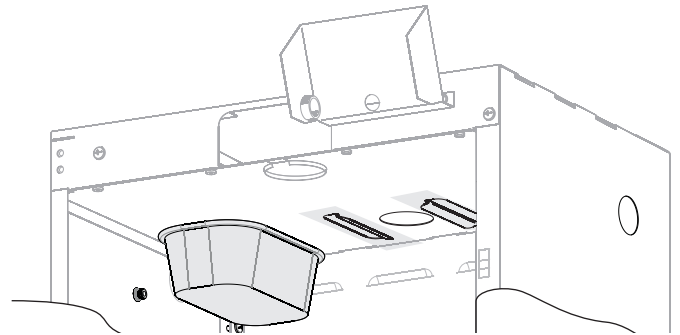


Figure 14

24. Secure a 1/4-20 x 1-1/4 screw to the knurl nut in the Left Panel side. Slide the Tank Retainer Bracket on the screw and secure it with a lock washer and wing nut. See Figure 15.

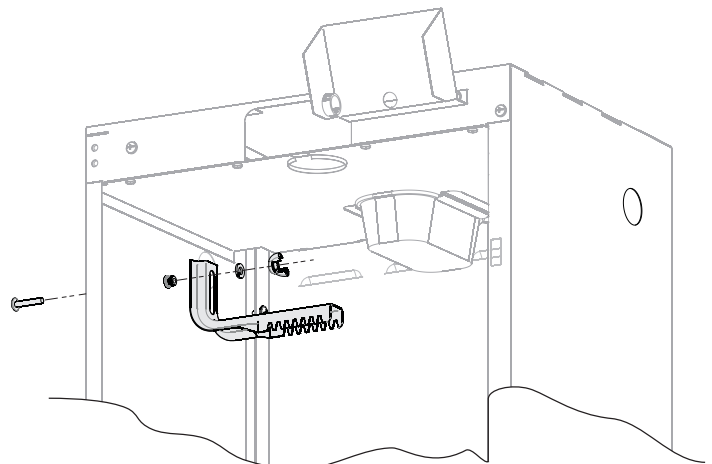


Figure 15



BROILMASTER®

A Division of Empire Comfort Systems, Inc.

918 Freeburg Ave.

Belleville, Illinois 62220

Phone: 1-800-851-3153

FAX: 1-800-443-8648

VISIT OUR WEB SITE AT www.broilmaster.com

RETAIN OWNER'S MANUAL FOR FUTURE REFERENCE.